



WILLIAMS
ALUMINUM RAILING™

PRODUCT CATALOG

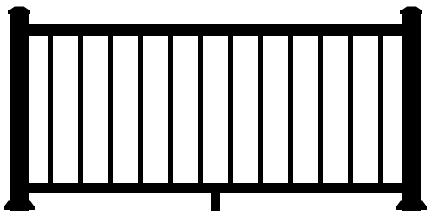
OVERVIEW

Williams Aluminum Railing™ manufactures premium powder-coated aluminum picket railing systems for decks, patios and swimming pools with low-maintenance living in mind. Our dedication to research and development ensures a uniquely engineered railing system that meets commercial and residential codes throughout North America.

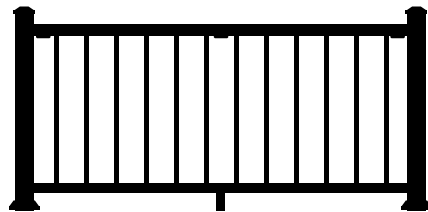
Williams's high-performance railings are made of durable aluminum and coated with an AkzoNobel custom-blended Interpon D Series AAMA 2604 textured powder coating. Williams products are backed with a 20-year limited warranty against manufacturing defects, cracking, chipping, blistering or peeling under normal use and weather conditions.

WILLIAMS RAILING SYSTEMS

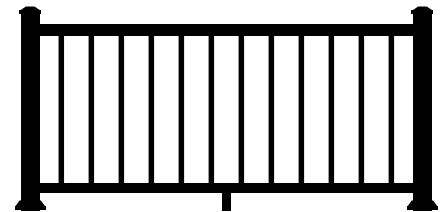
BALUSTER RAILING SYSTEMS



Standard Baluster
(1/2in x 3/4in pickets)

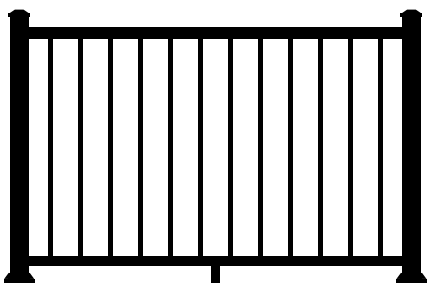


Baluster with Drink Rail

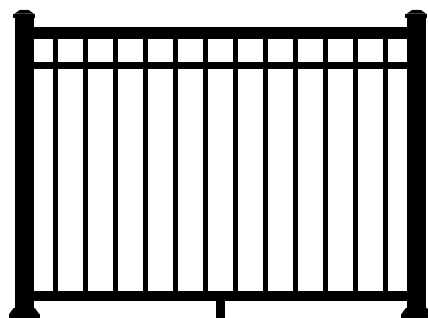


Commercial Baluster
(3/4in x 3/4in pickets)

FENCING SYSTEMS



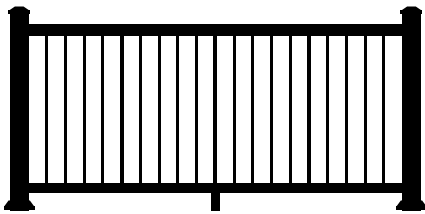
48in H Pro Series Fence



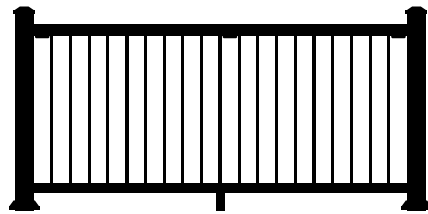
54in H Pro Series Fence with Midrail



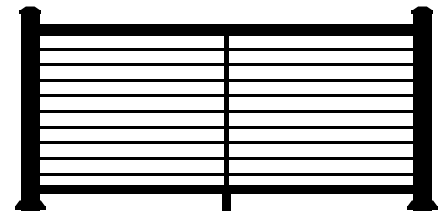
CABLE RAILING SYSTEMS



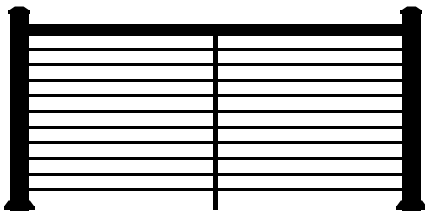
Vertical Cable



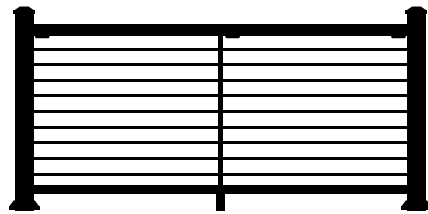
Vertical Cable with Drink Rail



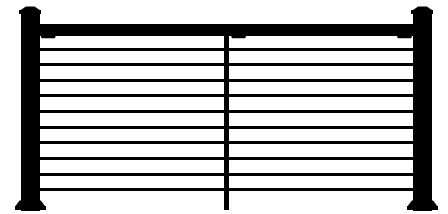
Horizontal Cable - Full Frame



Horizontal Cable - Top Rail Only



Horizontal Cable - Full Frame
with Drink Rail

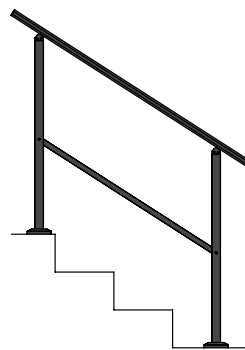


Horizontal Cable - Top Rail Only
with Drink Rail

OTHER SYSTEMS



ADA Handrail



Adjustable Handrails



ALUMINUM RAILING SPECIFICATIONS

- 36in H x 6ft W Deck and Stair Panels Actual Size: 34in H X 69.43in W
- 36in H x 8ft W Deck and Stair Panels Actual Size: 34in H X 91.31in W
- 42in H x 6ft W Deck Panels Actual Size: 39in H X 69.43in W
- 42in H x 8ft W Deck Panels Actual Size: 39in H X 91.31in W
- 42in H x 6ft W Stair Panels Actual Size: 41.43in H X 69.43in W
- 42in H x 6ft W Commercial Deck Panels Actual Size: 39in H X 68.8in W
- 42in H x 6ft W Commercial Stair Panels Actual Size: 41.43in H X 68.8in W
- Standard Balustrade Dimensions = 0.5in x 0.75in (.050in wall), Spacing = 3.875in
- Commercial Balustrade Dimensions = 0.75in x 0.75in (.055in wall), Spacing = 3.6in
- Colonial Top Rail - 2.25in W x 2.35in H (.050in wall); Metro Top Rail - 2.25in W x 2.35in H (.050in wall)
- Bottom Rail - 1.5in x 1.5in (.050in wall)
- 3in x 3in Post - Actual Lengths: 38.25in, 43.5in and 48in (.065in wall)
- Standard Baluster Gate Kits - Actual Sizes: 33.9in H X 38in W or 39.5in H X 38in W for up to 39in and 49in openings
- Wide Baluster Gate Kits - Actual Sizes: 33.9in H X 48in W or 39.5in H X 48in W for up to 39in and 49in openings
- Horizontal and Cable Gate Kits - Actual Sizes: 33.9in H X 49in W or 39.5in H X 49in W for up to 50in openings



Find installation instructions and videos at WilliamsRailing.com.

ADVANTAGES

Premium Design

Williams railing system's hidden fastener design creates an upscale quality and seamless look.

Fast and Easy Installation

Railing panels are preassembled for ease and speed of installation.

Williams railing systems can be installed in half the time as competitive products, and no special tools are required.

Durability and Strength

Durable aluminum construction with an AkzoNobel AAMA 2604 powder coat applied.

Engineered, tested and approved. ICC-ESR #3485, AC273 and IBC/IRC-compliant.

**ENGINEERED, TESTED
AND APPROVED**



ULTRALOX ALUMINUM RAILING SYSTEM SERIES C800 IS IN COMPLIANCE WITH ICC-ES ESR-3485, GIVEN A MAXIMUM ALLOWABLE SPAN OF 91.31 INCHES. FOR USE IN ONE AND TWO FAMILY DWELLINGS ONLY.



TEXTURED POWDER COAT COLORS



IN-STOCK

BLACK



SPECIAL ORDER

WHITE



IN-STOCK

BRONZE



SPECIAL ORDER

PIANO RAIL®

White with
Black Infill



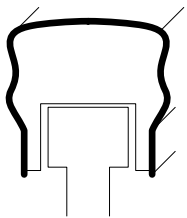
SPECIAL ORDER

TUXEDO RAIL®

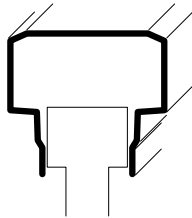
Black with
White Infill

Color samples are printed for concept purposes only. They may not be 100% accurate when compared to actual color sample.

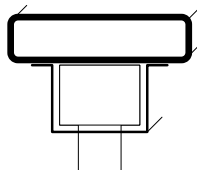
TOP RAIL PROFILES



COLONIAL
Standard Railing
Panels



METRO
Commercial Railing
Panels



DRINK RAIL

BALUSTER (PICKET PANEL) RAILING SYSTEM

The standard Williams Railing System uses 1/2in x 3/4in balusters (pickets), a Colonial Top Rail and 3in aluminum posts. It's available in 36in or 42in high x 6ft or 8ft wide panels for both level and stair applications. 3in posts are required to reach 6ft and 8ft on-center lengths.



Deck Rail Panels

Textured Black
 36in H x 6ft W SKU: 1717800 S
 36in H x 8ft W SKU: 1717806 D
 42in H x 6ft W SKU: 1717891 M
 42in x 8ft P/N: CP262408B M

Textured White
 36in H x 6ft W SKU: 1717804 D
 36in H x 8ft W SKU: 1717810 D
 42in H x 6ft W SKU: 1717893 M
 42in x 8ft P/N: CP262408W M

Textured Bronze
 36in H x 6ft W SKU: 1717803 S
 36in H x 8ft W SKU: 1717809 D
 42in H x 6ft W SKU: 1717895 M
 42in x 8ft P/N: CP262408Z M

Piano
 36in H x 6ft W SKU: 1717875 D
 36in H x 8ft W SKU: 1717876 D
 42in x 8ft P/N: CP262408P M

Tuxedo
 36in H x 6ft W SKU: 1717878 M
 36in H x 8ft W SKU: 1717879 M



Stair Rail Panels

Textured Black
 36in H x 6ft W SKU: 1717812 S
 36in H x 8ft W SKU: 1717813 M
 42in H x 6ft W SKU: 1717903 M

Textured White
 36in H x 6ft W SKU: 1717816 D
 36in H x 8ft W SKU: 1717817 M
 42in H x 6ft W SKU: 1717905 M

Textured Bronze
 36in H x 6ft W SKU: 1717815 S
 36in H x 8ft W SKU: 1717814 M
 42in H x 6ft W SKU: 1717907 M

Piano
 36in H x 6ft W SKU: 1717877 D
 36in H x 8ft W SKU: 1717874 M

Tuxedo
 36in H x 6ft W SKU: 1717880 M
 36in H x 8ft W SKU: 1717873 M

S=Stocked in Stores, D=Menards Distribution Center, M=Special Order

COMMERCIAL BALUSTER RAILING SYSTEM

The Williams Commercial Railing System uses heavy duty 3/4in x 3/4in balusters (pickets), a Metro Top Rail and 3in aluminum posts. Commercial panels are available in a 42in high x 71.8in wide size for both level and stair applications. The Commercial Railing Panels actual lengths are 68.8in. 3in posts are required to reach 71.8in on-center lengths.



Deck Rail Panels

42in High x 71.8in Wide
 Commercial Deck Panel
 P/N: RC462406 M
 B=Black, W=White, Z=Bronze



Stair Rail Panels

42in High x 71.8in Wide
 Commercial Deck Panel
 P/N: RC452406 M
 B=Black, W=White, Z=Bronze



36in H x 6ft W Standard Baluster Panel in Black



42in H x 6ft W Commercial Baluster Panel in Black

ALUMINUM POST KITS

The Williams 3in aluminum posts are used for standard and commercial baluster railing systems as well as vertical cable railing. Horizontal cable railing must use posts specifically engineered for that system with pre-drilled holes and corner post inserts.

Aluminum Post Kits

Includes: assembled post and base plate, post cap and post base plate vinyl skirt.



Textured Black

3in W x 36in H SKU: 1717819 S
 3in W x 42in H SKU: 1717824 S
 3in W x 48in H SKU: 1717916 M

Textured White

3in W x 36in H SKU: 1717823 D
 3in W x 42in H SKU: 1717829 D
 3in W x 48in H SKU: 1717917 M

Textured Bronze

3in W x 36in H SKU: 1717822 S
 3in W x 42in H SKU: 1717828 S
 3in W x 48in H SKU: 1717915 M

S=Stocked in Stores
 D=Menards Distribution Center
 M=Special Order

*Post-to-deck mount screws/anchors sold separately.

GATE KITS

Kits include gate, self-closing hinges and keyed latching hardware.

Standard Baluster Gate Kits

For openings up to 39in wide. Actual heights: 33.9in and 39.5in, actual width: 38in.

36in H Baluster Gate Black	SKU: 1717854	D
36in H Baluster Gate White	SKU: 1717858	D
36in H Baluster Gate Bronze	SKU: 1717857	D
36in H Baluster Gate Piano	SKU: WG07514P	M
36in H Baluster Gate Tuxedo	SKU: WG07514T	M
42in H Baluster Gate Black	P/N: WG07516B	M
42in H Baluster Gate White	P/N: WG07516W	M
42in H Baluster Gate Bronze	P/N: WG07516Z	M

Wide Baluster Gate Kits

For openings up to 49in wide. Actual heights: 33.9in and 39.5in, actual width: 48in.

36in H Baluster Gate Black	P/N: WG07518B	M
36in H Baluster Gate White	P/N: WG07518W	M
36in H Baluster Gate Bronze	P/N: WG07518Z	M
42in H Baluster Gate Black	P/N: WG07520B	M
42in H Baluster Gate White	P/N: WG07520W	M
42in H Baluster Gate Bronze	P/N: WG07520Z	M

Cable Gate Kits

For openings up to 50in wide. Actual heights: 33.9in and 39.5in, actual width: 49in.

36in H x 49in W Vert. Cable Gate	P/N: CG401349	M
42in H x 49in W Vert. Cable Gate	P/N: CG401449	M
36in H x 49in W Horiz. Cable Gate	P/N: CG481349	M
42in H x 49in W Horiz. Cable Gate	P/N: CG481449	M

Gate Parts

Gate Hinge / Bracket Kit	P/N: GH201040	M
Gate Lockable Latch (black only)	P/N: FL7750P2B	M
Gate Hinge, Fully Adjustable, 1 Pair (black only)	P/N: FH775000B	M

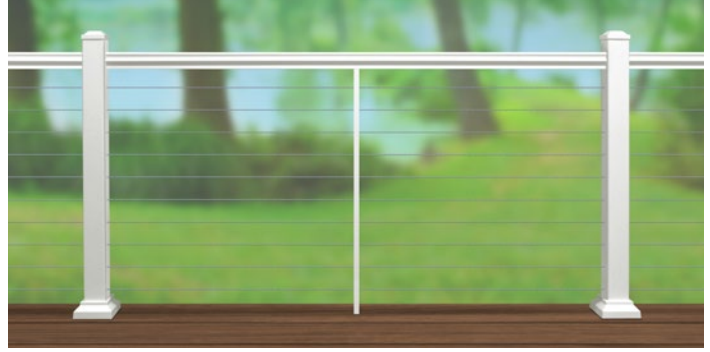
B=Black, W=White, Z=Bronze, P=Piano, T=Tuxedo (where applicable)



HORIZONTAL CABLE RAILING SYSTEMS



Full Frame Kits (with bottom rail) in Bronze



Top Rail Only Kits (no bottom rail) in White



36/42in H x 6ft W Horizontal Cable Rail Deck Full Frame Kits

Black SKU: 1717934
 White SKU: 1717935
 Bronze SKU: 1717936

36/42in H x 6ft W Horizontal Cable Rail Stair Full Frame Kits

Black SKU: 1717974
 White SKU: 1717976
 Bronze SKU: 1717978

36/42in H x 8ft W Horizontal Cable Rail Deck Full Frame Kits

Black SKU: 1717937
 White SKU: 1717938
 Bronze SKU: 1717939

36/42in H x 8ft W Horizontal Cable Rail Stair Full Frame Kits

Black SKU: 1717975
 White SKU: 1717977
 Bronze SKU: 1717979



36/42in H x 6ft W Horizontal Cable Rail Deck Top Rail Kits

Black SKU: 1717966
 White SKU: 1717967
 Bronze SKU: 1717968

36/42in H x 6ft W Horizontal Cable Rail Stair Top Rail Kits

Black SKU: 1717980
 White SKU: 1717982
 Bronze 1717984

36/42in H x 8ft W Horizontal Cable Rail Deck Top Rail Kits

Black SKU: 1717969
 White SKU: 1717970
 Bronze SKU: 1717971

36/42in H x 8ft W Horizontal Cable Rail Stair Top Rail Kits

Black SKU: 1717981
 White SKU: 1717983
 Bronze SKU: 1717985

All Horizontal Cable Railing Products are Special Order



36in x 3in Cable End Post Kits

Black SKU: 1717940
 White SKU: 1717941
 Bronze SKU: 1717942

36in x 3in Cable Inline Post Kits

Black SKU: 1717946
 White SKU: 1717947
 Bronze SKU: 1717948



36in x 3in Cable 90° Corner Post Kits

Black SKU: 1717952
 White SKU: 1717953
 Bronze SKU: 1717954

42in x 3in Cable Stair End Post Kits

Black SKU: 1717963
 White SKU: 1717964
 Bronze SKU: 1717962

42in x 3in Cable Inline Stair Post Kits

Black SKU: 1717949
 White SKU: 1717950
 Bronze SKU: 1717951



42in x 3in Cable End Post Kits

Black P/N: PC441642B
 White P/N: PC441642W
 Bronze P/N: PC441642Z

42in x 3in Cable Inline Post Kits

Black P/N: PC441742B
 White P/N: PC441742W
 Bronze P/N: PC441742Z



42in x 3in Cable 90° Corner Post Kits

Black P/N: PC441942B
 White P/N: PC441942W
 Bronze P/N: PC441942Z

48in x 3in Cable Stair End Post Kits

Black P/N: PC441548B
 White P/N: PC441548W
 Bronze P/N: PC441548Z

48in x 3in Cable Inline Stair Post Kits

Black P/N: PC441848B
 White P/N: PC441848W
 Bronze P/N: PC441848Z

HORIZONTAL CABLE RAILING SYSTEMS



Cable Kits

(1/8in 1x19 T316, For Horizontal Cable)

5ft Cable Kit	SKU: 1717924
10ft Cable Kit	SKU: 1717925
15ft Cable Kit	SKU: 1717926
20ft Cable Kit	SKU: 1717927
25ft Cable Kit	SKU: 1717928
30ft Cable Kit	SKU: 1717929
35ft Cable Kit	SKU: 1717930
40ft Cable Kit	SKU: 1717931
45ft Cable Kit	SKU: 1717932
50ft Cable Kit	SKU: 1717933
55ft Cable Kit	SKU: 1717972
60ft Cable Kit	SKU: 1717973

Stainless Steel Cable Cutter

SKU: 1717965

Horizontal Cable Tool Kit

Includes: Cable Threading Tool, 90° Cable Threading Tool, Cable Release Tool and Cable Cutter.

SKU: 1717986

Vertical Cable Repair Kit

(repairs one deck or stair vertical cable) P/N: VC481300K

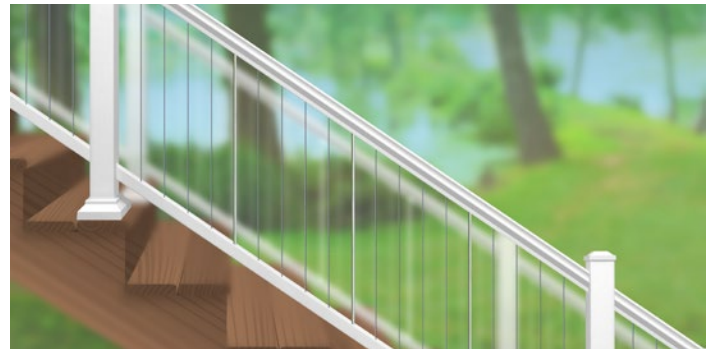
Specifications:

- System requires Horizontal Cable Aluminum Posts. Standard aluminum posts will not work for this application.
- Top Rail Snaps are included.
- Full Frame Kits include a bottom rail; Top Rail Kits do not.
- 36/42in H kits are used for both heights by cutting down the intermediate post.
- 36in High Full Frame system requires 9 horizontal cables; 36in Top Rail system requires 10 horizontal cables; 42in High Full Frame system requires 11 horizontal cables; 42in Top Rail system requires 12 horizontal cables.
- Cable kits can transition from level to stair panels.

VERTICAL CABLE RAILING SYSTEM



36in H x 6ft W Vertical Cable Deck Panel in Black



36in H x 6ft W Vertical Cable Stair Panel in White

36in H Vertical Cable Rail Panels

36in H x 6ft W Deck Rail Kit, Black	SKU: 1717918
36in H x 6ft W Deck Rail Kit, White	SKU: 1717919
36in H x 6ft W Deck Rail Kit, Bronze	SKU: 1717920

36in H x 8ft W Deck Rail Kit, Black	P/N: VC262308B
36in H x 8ft W Deck Rail Kit, White	P/N: VC262308W
36in H x 8ft W Deck Rail Kit, Bronze	P/N: VC262308Z

36in H x 6ft W Stair Rail Kit, Black	SKU: 1717909
36in H x 6ft W Stair Rail Kit, White	SKU: 1717910
36in H x 6ft W Stair Rail Kit, Bronze	SKU: 1717911

42in H Vertical Cable Rail Panels

42in H x 6ft W Deck Rail Kit, Black	VC262406B
42in H x 6ft W Deck Rail Kit, White	VC262406W
42in H x 6ft W Deck Rail Kit, Bronze	VC262406Z

42in H x 8ft W Deck Rail Kit, Black	VC262408B
42in H x 8ft W Deck Rail Kit, White	VC262408W
42in H x 8ft W Deck Rail Kit, Bronze	VC262408Z

42in H x 6ft W Stair Rail Kit, Black	VC252406B
42in H x 6ft W Stair Rail Kit, White	VC252406W
42in H x 6ft W Stair Rail Kit, Bronze	VC252406Z

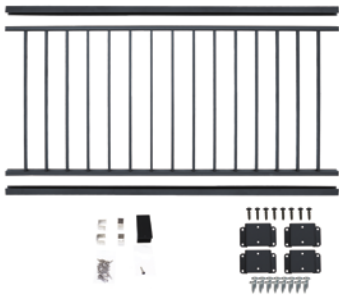
Specifications:

- 36in H x 6ft W Deck and Stair Panels Actual Size: 34in H X 69.43in W
- 36in H x 8ft W Deck and Stair Panels Actual Size: 34in H X 91.31in W
- 42in H x 6ft W Deck Panels Actual Size: 39in H X 69.43in W
- 42in H x 8ft W Deck Panels Actual Size: 39in H X 91.31in W
- 42in H x 6ft W Stair Panels Actual Size: 41.43in H X 69.43in W
- 3in posts are required to reach 6ft and 8ft lengths on center.
- System uses Williams standard 3in aluminum posts.
- Top Rail Snaps are included.



All Vertical Cable Railing Products are Special Order

BALUSTER (PICKET PANEL) DRINK RAIL SYSTEM



Picket Drink Rail Panels

36in H x 6ft W Panel Blk SKU: 1717783 M
 36in H x 8ft W Panel Blk SKU: 1717786 M
 42in H x 6ft W Panel Blk SKU: 1717789 M
 42in H x 8ft W Panel Blk SKU: 1717792 M

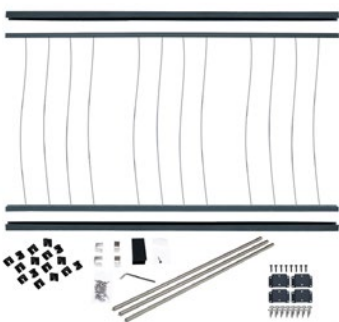
36in H x 6ft W Panel P/N: DR462306 M
 36in H x 8ft W Panel P/N: DR462308 M
 42in H x 6ft W Panel P/N: DR462406 M
 42in H x 8ft W Panel P/N: DR462408 M

W=White, Z=Bronze, P= Piano



Picket Panel Drink Rail System in Black

VERTICAL CABLE DRINK RAIL SYSTEM



Vertical Cable Drink Rail Panels

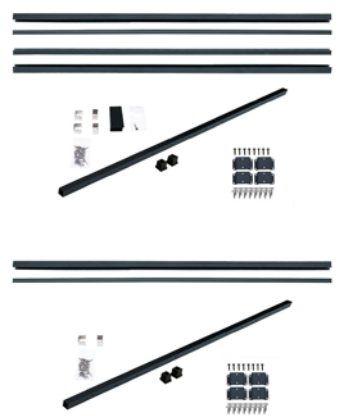
36in H x 6ft W Panel P/N: VC462306 M
 36in H x 8ft W Panel P/N: VC462308 M
 42in H x 6ft W Panel P/N: VC462406 M
 42in H x 8ft W Panel P/N: VC462408 M

B=Black, W=White, Z=Bronze



Vertical Cable Drink Rail System in White

HORIZONTAL CABLE DRINK RAIL SYSTEM



Horizontal Cable Drink Rail Panels

36/42in H x 6ft W Horizontal Cable Full Frame Drink Rail Kits

6ft W Panel P/N: HC481606 M
 8ft W Panel P/N: HC481608 M

36/42in H x 6ft W Horizontal Cable Top Rail Drink Rail Kits

6ft W Panel P/N: HC401606 M
 8ft W Panel P/N: HC401608 M

B=Black, W=White, Z=Bronze



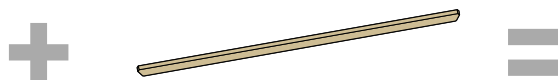
Horizontal Cable Drink Rail System in Bronze

All Drink Rail Panels are Special Order

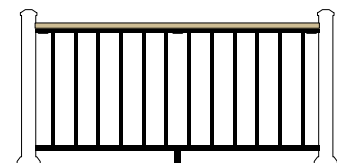
One Drink Rail Panel



One Deck Board (used as top rail)



One Drink Rail Section



NOTES:

- Choose your own top rail - typically a deck board to match the deck surface.
- Drink Rail Panel Kits include Drink Rail Clips and an additional Bottom Rail Snap.

- The additional Bottom Rail Snap is used as the Top Rail Snap which supports the bracket and the Drink Rail.
- The Drink Rail System is not offered for stair panels.
- Horizontal Cable Kits can be used for 36in or 42in high systems and require Horizontal Cable Posts.

HARDWARE



Rail Clip Jig/Touch-up Paint
Ensures proper placement of the lower rail clips when attaching to posts. Touch-up paint is included for use when cutting extrusions.

Black SKU: 1717864 S
White SKU: 1717866 D
Bronze SKU: 1717862 S
Piano/Tuxedo P/N: JK09700P M



Drink Rail Kits
Includes 4 color matched clips, 8 #8 3/4in Self-tapping SS screws, 16 #8 in type 17 phillips stainless steel mod truss K-Lath screws.

Black SKU: 1717780 D
White SKU: 1717781 D
Bronze SKU: 1717782 D



Deck Panel Attach Kit
Required when deck panel is cut and attaching more than one section. SKU: 1717836 S



Straight Wall Mount Kits
Secure deck panels to a structural surface without a post. Use only with Colonial top rails (Standard Panels).

Black SKU: 1717851 S
White SKU: 1717852 D
Bronze SKU: 1717848 S



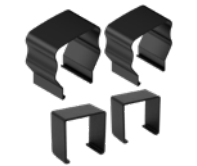
Stair Panel Attach Kit
Required when stair panel is cut and attaching more than one section. SKU: 1717845 S



Commercial Straight Wall Mount Kits
Secure deck panels to a structural surface without a post. Use only with Metro Top Rails (Commercial Panels). P/N: RC49100



22.5° Panel Attach Kit
Required for 45° deck corners. Refer to installation instructions for proper post placement. SKU: 1717839 D



Deck and Stair Panel Cut Collar Kits
Cover mis-cuts to a top rail snap and bottom rail snap. Use only with Colonial top rails (Standard Panels).

Deck Cut Kit Black SKU: 1717834 S
Deck Cut Kit White SKU: 1717837 M
Deck Cut Kit Bronze SKU: 1717835 S
Stair Cut Kit Black SKU: 1717838 S
Stair Cut Kit White SKU: 1717841 M
Stair Cut Kit Bronze SKU: 1717840 S



45° Wall Mount Kit
Required for 45° wall applications. Not to be used for post applications. SKU: 1717842 D

REPLACEMENT PARTS

RAILING PANEL PARTS	
Top Rail Snap 6ft	P/N: CT293106
Top Rail Snap 8ft	P/N: CT293108
Bottom Rail Snap 6ft	P/N: SH093106
Bottom Rail Snap 8ft	P/N: SH093108
POST PARTS	
36in H x 3in W Post	P/N: PO043336
42in H x 3in W Post	P/N: PO043342
48in H x 3in W Post	P/N: PO043348
Post Base Plate 3in	P/N: BP04450
Base Plate Vinyl Skirt - Black	SKU: 1717868 D
Base Plate Vinyl Skirt - White	SKU: 1717872 D
Base Plate Vinyl Skirt - Bronze	SKU: 1717870 D
Post Cap for 3in Post (Standard)	P/N: CC044300
Low Profile 3in Post Cap (New)	P/N: CC025303

SMALL PARTS	
Support Leg w/ color screw	P/N: SLO9402
Aluminum Casting Plugs 4/pack	P/N: PGO9404
Vinyl Base Plate Plugs 4/pack	P/N: PV09404
HARDWARE	
#8x3/4in Self-tapping Screws 16/pack	P/N: ST09934K
#8 x 1.5in Self-tapping Screws - 20 pack	P/N: ST099320
#14 x 1.5in Self-tapping Screws - 20 pack	P/N: ST099520
M8 x 80mm Stainless Steel Hex Head (13mm) Screw - 1 ct.	SS009880

B=Black, W=White, Z=Bronze (where applicable)

Base Plate Vinyl Skirts are available at Menards Distribution Centers. All other replacement parts are Special Order.

LIGHTING AND ACCESSORIES



3in LED Post Cap Perimeter Light
 .3 watts, 3 LEDS, 39 Lumens, 4,000 Kelvin
 P/N: LE045310 M
 B=Black, W=White, Z=Bronze



3in LED Post Cap Indirect Light
 1.2 watts, 12 LEDS (3 LEDS per side),
 156 Lumens, with an approximate effective
 Lumen output of 39 Lumens, 4,000 Kelvin
 P/N: LE045311 M
 B=Black, W=White, Z=Bronze



Solar 3in LED Post Cap Perimeter Light
 3 Lumens, 3,000 Kelvin
 P/N: LS045310 M
 B=Black, W=White, Z=Bronze



3in Low Profile Post Cap
 (without light)
 P/N CC025303 M
 B=Black, W=White, Z=Bronze



Power Pack
 12V 100W single tap,
 built in adjustable timer
 and photo cell
 P/N: LE095101 M

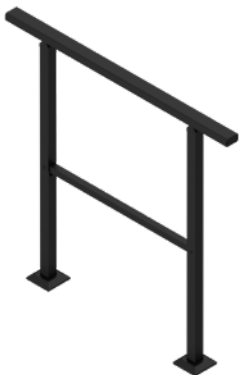


UR Wire Connectors
 10 Pack. Replacement part;
 also included with post cap
 lights.
 P/N LE095104 M



100ft 16/2 GA Wire
 P/N LE095103 M

ADJUSTABLE HANDRAILS



Adjustable Handrail Kits include: Top Rail, Middle Rail, Two Posts, Hardware and Install Instructions. Available in 3-Step, 4-Step and 5-Step sizes. May be racked from 0° to 42°. Powder-coated black aluminum construction.

- 3ft x 38in Adjustable Handrail (3-step), Black AH428303B M
- 4ft x 38in Adjustable Handrail (4-step), Black AH428304B M
- 5ft x 38in Adjustable Handrail (5-step), Black AH428305B M



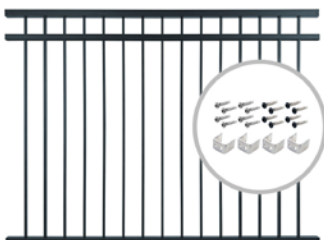
PRO SERIES ALUMINUM FENCING

Panel Kits



48in H x 6ft W Pro Series Fence Panels

Black SKU: 1716806
 White SKU: 1716817
 Bronze SKU: 1716837



54in H x 6ft W Pro Series Fence with Mid-Rail Panels

Black SKU: 1716807
 White SKU: 1716816
 Bronze SKU: 1716836

Panel Kits Include:
 Pre-assembled Panel, Fence Cap (top rail cover), Attach Kit for securing to two posts and Installation Instructions. Posts are sold separately.

Post Kits



48in H x 3in W Pro Series Surface Mount Fence Post Kits

Black SKU: 1716809
 White SKU: 1716833
 Bronze SKU: 1716842

54in H x 3in W Pro Series Surface Mount Fence Post Kits

Black SKU: 1716815
 White SKU: 1716835
 Bronze SKU: 1716845

48in H x 3in W Pro Series Buried Fence Post Kits

Black SKU: 1716812
 White SKU: 1716831
 Bronze SKU: 1716844

54in H x 3in W Pro Series Buried Fence Post Kits

Black SKU: 1716811
 White SKU: 1716820
 Bronze SKU: 1716840

Gate Kits



48in H x 48in W Welded Gate Kits

Black SKU: 1716810
 White SKU: 1716819
 Bronze SKU: 1716839



54in H x 48in W Welded Gate Kits

Black SKU: 1716808
 White SKU: 1716834
 Bronze SKU: 1716843

Gate Kits Include:
 Pre-assembled Gate Panel, Self-Closing Hinges, Keyed Latching Hardware and Installation Instructions. Posts are sold separately.

Attach Kits



Pro Series Fence Attach Kits

Black SKU: 1716848
 White SKU: 1716850
 Bronze SKU: 1716849



Pro Series 22.5° Fence Attach Kits

(for 45° angles)
 Black SKU: 1716846
 White SKU: 1716851
 Bronze SKU: 1716847

All Pro Series Aluminum Fencing Products are Special Order

WILLIAMS ADA HANDRAILS



ADA PIPE RAIL AND 90° RETURN KIT

Kit includes:
 1 - 94in Pipe
 2 - 90° Wall Returns and Covers
 2 - 3in Post Backer Plates
 2 - Joiner Rings
 6 - #10 x 1.5in Self-tapping Screws
 4 - #8 x 3/4in Color Matched Self-tapping Screws
 Installation Instructions

Black 1717885 D
 White 1717888 M
 Bronze 1717882 D



ADA PIPE RAIL EXTENSION KIT

Kit includes:
 1 - 94in Pipe
 2 - 6in Joiners
 2 - Joiner Rings
 2 - Rail Support Brackets with adapters and caps
 1 - Mid Span Spacer
 2 - 3in Post Backer Plates
 6 - #10 x 1-1/2in Self-tapping Screws
 8 - #8 x 3/4in Color Matched Self-tapping Screws
 Installation Instructions

Black 1717884 D
 White 1717887 M
 Bronze 1717881 D



ADA 90° RETURN KIT

Required when Pipe Rail is cut into two pieces. Does not include 94in pipe rail.

Kit includes:
 2 - 90° Wall Returns and Covers
 2 - 3in Post Backer Plates
 2 - Joiner Rings
 6 - #10 x 1-1/2in Self-tapping Screws
 4 - #8 x 3/4in Color Matched Self-tapping Screws
 Installation Instructions

P/N: AD901101 M
 B=Black, W=White, Z=Bronze



ADA HANDICAP LOOP KIT

Kit includes:
 2 - Handicap Loops
 2 - Rail Support Brackets with adapters and caps
 2 - Adjustable Elbows
 2 - 3in Post Backer Plates
 12 - #8 x 3/4in Self-tapping Screws
 6 - #10 x 1-1/2in Self-tapping Screws
 Installation Instructions

Black 1717886 D
 White 1717889 M
 Bronze 1717883 D

ADA HANDRAILS CAN BE USED FOR STAIRS, RAMPS AND HORIZONTAL APPLICATIONS.

FIND INSTRUCTIONS AND INSTALL VIDEOS AT WILLIAMSRAILING.COM.



ADA 1.5in x 94in Pipe Rail
 P/N AD903194



90° Wall Return
 P/N AD905118



ADA Support Bracket
 Use on 2in and 3in Posts.
 P/N AD908102



Inside Corner Mount
 P/N AD908599



ADA 6in Pipe Joiner
 P/N AD905178



ADA Handicap Loop
 P/N AD905168



Straight End Wall Mount
 P/N AD905128



ADA 90° Elbow
 P/N AD905158



ADA Adjustable Elbow
 P/N AD958204
 Order 4X #8x3/4in screws for each elbow (sold separately).



ADA 1.5in Joiner Ring
 P/N AD905188



ADA End Cap
 Available in black only.
 P/N AD905198



3in Post Backer Plate
 P/N AD905248



Rail to Bracket Attach Screws
 #8 x 3/4in Self-tapping Screw. 20-pack. P/N ST091820
 B=Black, W=White, Z=Bronze



Bracket to Metal Post Attach Screws
 #10 x 1-1/2in Self-tapping Screw. 20-pack. P/N ST091020



Support Bracket Attach Screws
 #14 x 1-1/2in Self-tapping Screw. 20-pack. P/N ST099520

ADA
 Handrail
 Parts are
 Special
 Order

TOOLS RECOMMENDED FOR INSTALLATION



Cordless Drill
(hammer drill for concrete)



Level



Tape Measure and Pencil



Safety Glasses



Bar Clamps



Miter Saw
(with nonferrous blade)



84-Tooth Nonferrous Blade



3/16in Drill Bit
3/16in Masonry Drill Bit
(concrete applications)
5/16in and 5/8in Drill Bits
(for LED Lighting application)



6in #2 Square Drive Bit



Horizontal Cable Tool Kit
(Horizontal Cable Railing)



Cable Gripper Tool
(Horizontal Cable Railing. Attaches to Irwin Brand Vise Grips Model 7R (Sold Separately))



Stainless Steel Cable Cutter
(Horizontal Cable Railing)

RECOMMENDED POST-TO-SURFACE HARDWARE

WOOD OR COMPOSITE DECKING

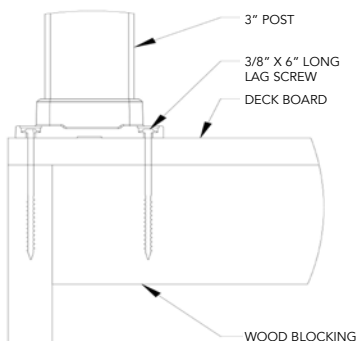


GRK® RSS™ 5/16in x 6in Grade C Yellow Zinc Washer Head Structural Screw

Residential applications only. Available at Menards.

SKU: 2300203

Stocked in stores.



CONCRETE APPLICATIONS

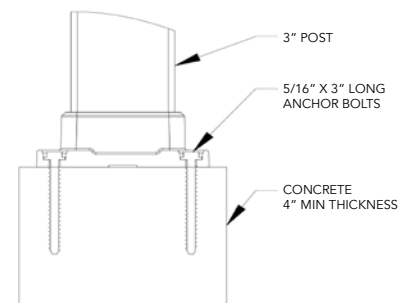


Tapcon® 5/16in x 3in Hex Washer Head Concrete Anchor

Residential applications only. Available at Menards.

SKU: 2327302

Stocked in stores.



S=Stocked in Stores; D=Menards Distribution Center; M=Special Order

PICKET PANEL OVERVIEW

(36IN HIGH SYSTEM SHOWN)



Prior to construction, check with your local regulatory agency for special code requirements in your area. Common railing height is 36in H or 42in H. Never span posts more than 8ft on center for picket railing systems. Always ensure there is proper blocking under each post as per diagram above and as per installation instructions. Read installation instructions and view installation videos to get a complete understanding of how the Williams products assemble.

FIND INSTALLATION INSTRUCTIONS
AND INSTALLATION VIDEOS AT
WILLIAMSRAILING.COM



IMPORTANT NOTES:

- Actual picket panel sizes: 6ft W Panels = 69.43in; 8ft W Panels = 91.31in.
- 3in posts are required to reach 6ft & 8ft lengths.
- MAXIMUM POST SPANS ON STAIR RAILING APPLICATIONS IS 70in ON CENTER.
- Stair railing panels are shipped at a 37° angle. Panels are adjustable and will accommodate 30-40° stair angles. **CAUTION:** Over adjusting stair panels will cause loose and rattling pickets.
- 42in H post kits are required for middle and bottom stair posts when installing a 36in H railing system.
- 48in H post kits are required for middle and bottom stair posts when installing a 42in H railing system.
- 45° deck angles require 22.5° clips applied to each side of the post. The 22.5° clip kit is sold **SEPARATELY**.
- Two 3in posts are recommended on top of deck surface if stair riser is not at a 90° angle from deck frame.

PICKET PANEL PLANNER

WHAT YOU WILL NEED	QTY	BLACK	WHITE	BRONZE
PRE-ASSEMBLED ALUMINUM PICKET PANELS				
36in H x 6ft W Picket Panel (actual length 69.43in)		1717800 S	1717804 D	1717803 S
36in H x 8ft W Picket (actual length 91.31in)		1717806 D	1717810 D	1717809 D
42in H x 6ft W Picket Panel (actual length 69.43in) (for 42in H system, not shown in diagram)		1717891 M	1717893 M	1717895 M
42in H x 8ft W Picket Panel (actual length 91.31in) (for 42in H system, not shown in diagram)		CP262408B M	CP262408W M	CP262408Z M
42in H x 71.8in W Commercial Picket Panel Actual length is 68.8in. Use 3in posts to reach 71.8in on-center lengths. (3/4in x 3/4in pickets, Metro top rail, not shown in diagram.)		RC462406B M	RC462406W M	RC462406Z M
PREASSEMBLED ALUMINUM STAIR PANELS				
36in H x 6ft W Stair Panel (actual length 69.43in)		1717812 S	1717816 D	1717815 S
36in H x 8ft W Stair Panel (actual length 91.31in)		1717813 M	1717817 M	1717814 M
42in H x 6ft W Stair Panel (actual length 69.43in)		1717903 M	1717905 M	1717907 M
42in H x 71.8in W Commercial Stair Picket Panel Actual length is 68.8in. Use 3in posts to reach 71.8in on-center lengths. (3/4in x 3/4in pickets, Metro top rail, not shown in diagram.)		RC452406B M	RC452406W M	RC452406Z M
ALUMINUM POST KITS Include: assembled post and base plate, post cap and post base plate vinyl skirt.				
36in H x 3in W Aluminum Post Kit (actual length 38.25in)		1717819 S	1717823 D	1717822 S
42in H x 3in W Aluminum Post Kit (actual length 43.5in)		1717824 S	1717829 D	1717828 S
48in H x 3in W Aluminum Post Kit (actual length 48in)		1717916 M	1717917 M	1717915 M
ADDITIONAL KITS				
Straight Wall Mount Kit		1717851 S	1717852 D	1717848 S
Jig/Touch-up Paint		1717864 S	1717866 D	1717862 S
Jig/Touch-up Paint - Piano/Tuxedo		P/N: JK0970OPT S		
36in H x 38in W Gate Kit (Adjustable, for openings up to 39in wide)		1717854 D	1717858 D	1717857 D
36in H x 48in W Gate Kit (Adjustable, for openings up to 49in wide)		WG07518B M	WG07518W M	WG07518Z M
42in H x 38in W Gate Kit (Adjustable, for openings up to 39in wide)		WG07516B M	WG07516W M	WG07516Z M
42in H x 48in W Gate Kit (Adjustable, for openings up to 49in wide)		WG07520B M	WG07520W M	WG07520Z M
Deck Panel Attach Kit		1717836 S		
22.5° Panel Attach Kit		1717839 D		
45° Wall Mount Kit		1717842 D		
Stair Panel Attach Kit		1717845 S		
HARDWARE				
GRK® RSS™ 5/16in x 6in Grade C Yellow Zinc Washer Head Structural Screw		SKU: 2300203 S		
Tapcon® 5/16in x 3in Hex Washer Head Concrete Anchors		SKU: 2327302 S		

S=Stocked in Stores D=Menards Distribution Center M=Special Order

HELPFUL ORDERING INFORMATION:

- Picket section kits include attachment clips and screws. If panels are cut and two pieces are used for installation, a Deck Panel Attach Kit must be purchased.
- Anchors and fasteners to secure posts to concrete or wood are **NOT INCLUDED** in kits.
- Maximum post spacing on deck for picket railing is 8ft on center.

Use part number listed under desired color identifier:

B=Black, W=White, Z=Bronze

ACCESSORIES:



Gate Kits and Hardware



Lighting Options



ADA Handrail Kits

Many Picket Panel and Gate Kits are also available in Piano Rail® and Tuxedo Rail® color schemes. See Product Ordering Guide.

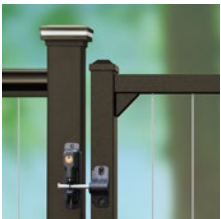
VERTICAL CABLE RAILING OVERVIEW

(36IN HIGH SYSTEM SHOWN)



Prior to construction, check with your local regulatory agency for special code requirements in your area. Common railing height is 36in or 42in. Never span posts more than 8ft on center for cable railing systems. Always ensure there is proper blocking under each post as per diagram above and as per installation instructions. Read installation instructions and view installation videos to get a complete understanding of how the Williams products assemble.

ACCESSORIES:



Gate Kits and Hardware



Lighting Options



ADA Handrail Kits



VERTICAL CABLE RAILING PLANNER

WHAT YOU WILL NEED	QTY	BLACK	WHITE	BRONZE
VERTICAL CABLE PANEL KITS Kits Include: 6ft Top Rail Snap, 6ft Bottom Rail Snap, 6ft Pre-strung Vertical Stainless Steel Cable Railing Panel, 16 Tensioning Blocks, 3 Stainless Steel Support Rods, Allen Wrench, Deck or Stair Panel Attach Kit		MENARDS SKUS OR MANUFACTURER'S PART NUMBERS		
36in H x 6ft W Vertical Cable Deck Panel (Actual length is 69.43in)		1717918	1717919	1717920
36in H x 8ft W Vertical Cable Deck Panel (Actual length is 91.31in)		VC262308B	VC262308W	VC262308Z
36in H x 6ft W Vertical Cable Stair Panel (Actual length is 69.43in)		1717909	1717910	1717911
42in H x 6ft W Vertical Cable Deck Panel (Actual length is 69.43in)		VC262406B	VC262406W	VC262406Z
42in H x 8ft W Vertical Cable Deck Panel (Actual length is 91.31in)		VC262408B	VC262408W	VC262408Z
42in H x 6ft W Vertical Cable Stair Panel (Actual length is 69.43in)		VC252406B	VC252406W	VC252406Z
ALUMINUM POST KITS Include: assembled post and base plate, post cap and post base plate vinyl skirt.				
36in H x 3in W Aluminum Post Kit (actual length 38.25in)		1717819 S	1717823 M	1717822 S
42in H x 3in W Aluminum Post Kit (actual length 43.5in)		1717824 S	1717829 M	1717828 S
48in H x 3in W Aluminum Post Kit (actual length 48in)		1717916 M	1717917 M	1717915 M
ADDITIONAL KITS				
Straight Wall Mount Kit		1717851 S	1717852 D	1717848 S
Jig/Touch-up Paint		1717864 S	1717866 D	1717862 S
36in H x 49in W Vertical Cable Gate Kit (Adjustable, for openings up to 50in wide)		CG401349B	CG401349W	CG401349Z
42in H x 49in W Vertical Cable Gate Kit (Adjustable, for openings up to 50in wide)		CG401449B	CG401449W	CG401449Z
Deck Panel Attach Kit		1717836 S		
22.5° Panel Attach Kit		1717839 D		
45° Wall Mount Kit		1717842 D		
Stair Panel Attach Kit		1717845 S		
Stainless Steel Cable Cutter		1717965 D		
HARDWARE				
GRK® RSS™ 5/16in x 6in Grade C Yellow Zinc Washer Head Structural Screw		2300203 S		
Tapcon® 5/16in x 3in Hex Washer Head Concrete Anchors		2327302 S		

S=Stocked in Stores D=Menards Distribution Center M=Special Order

HELPFUL ORDERING INFORMATION:

1. Cable frame kits include attachment clips and screws. If panels are cut and two pieces are used for installation, a Deck Panel Attach Kit must be purchased.
2. Anchors and fasteners to secure posts to concrete or wood are **NOT INCLUDED** in kits.
3. Maximum post spacing on deck for horizontal cable railing is 8ft on center.

IMPORTANT NOTES:

- Actual panel sizes: 6ft Panels = 69.43in, 8ft panels = 91.31in.
- 3in posts are required to reach 6ft and 8ft lengths.
- Cable stair railing panels will accommodate 30-40° stair angles.
- 42in H post kits are required for middle and bottom stair posts when installing a 36in H railing system.
- 48in H post kits are required for middle and bottom stair posts when installing a 42in H railing system.
- 45° deck angles require 22.5° clips applied to each side of the post. The 22.5° clip kit is sold **SEPARATELY**.
- Two 3in posts are recommended on top of deck surface if stair riser is not at a 90° angle from deck frame.

All Vertical Cable Railing Products are Special Order

HORIZONTAL CABLE RAILING OVERVIEW

(36IN HIGH SYSTEM SHOWN)

36IN H X 3IN W HORIZONTAL CABLE INLINE POST KIT

HORIZONTAL CABLE DECK 36IN H X 6FT W FULL FRAME KIT (ACTUAL LENGTH = 69.43IN)

36IN H X 3IN W HORIZONTAL CABLE CORNER POST KIT

ENSURE PROPER BLOCKING (ALL POSTS)

POST-TO-SURFACE MOUNTING SCREWS:

RESIDENTIAL DECKS – GRK® RSS™ 5/16" X 6" GRADE C YELLOW ZINC WASHER HEAD STRUCTURAL SCREW

RESIDENTIAL CONCRETE – TAPCON® 5/16" X 3" HEX WASHER HEAD CONCRETE ANCHOR

ORDER HORIZONTAL TOP RAIL KITS TO USE A 10TH CABLE AND NO BOTTOM RAIL.

HORIZONTAL CABLE GATE KIT

NOTE: RAIL KITS DO NOT INCLUDE CABLES. CABLE KITS ARE PURCHASED SEPARATELY.

HORIZONTAL CABLE KITS ARE AVAILABLE IN 5FT INCREMENTS FROM 5FT TO 60FT. 9 ROWS OF CABLE ARE NEEDED FOR FULL FRAME KIT. 10 ROWS OF CABLE ARE NEEDED FOR TOP RAIL ONLY KIT.

36IN H X 3IN W HORIZONTAL CABLE END POST KIT

HORIZONTAL CABLE STAIR 36IN H X 6FT W FULL FRAME KIT (ACTUAL LENGTH = 69.43IN)

42IN STAIR END POST KIT (USE 42IN INLINE STAIR POST KITS FOR INLINE POSTS ON STAIRS)

DECK PANEL OR STAIR PANEL ATTACH KITS ARE REQUIRED WHEN PANELS ARE CUT AND USED AS TWO PIECES.

IMPORTANT: 45° CORNER POSTS MUST BISECT CORNER AND USE 22.5° PANEL ATTACH KIT

3IN POST KITS INCLUDE CAP, PRE-MOUNTED BASE AND BASE PLATE COVER

NOTE: HORIZONTAL FULL FRAME / HORIZONTAL TOP RAIL KITS DO NOT INCLUDE CABLE. CABLE KITS ARE PURCHASED SEPARATELY.



Prior to construction, check with your local regulatory agency for special code requirements in your area. Common railing height is 36in or 42in. Never span posts more than 8ft on center for cable railing systems. Always ensure there is proper blocking under each post as per diagram above and as per installation instructions. Read installation instructions and view installation videos to get a complete understanding of how the Williams products assemble.



IMPORTANT NOTES:

- Actual cable panel sizes: 6ft Panels = 69.43in; 8ft Panels = 91.31in.
- 3in posts are required to reach 6ft & 8ft lengths.
- Cable stair railing panels will accommodate 30-40° stair angles.
- 42in H post kits are required for middle and bottom stair posts when installing a 36in H railing system.
- 48in post kits are required for middle and bottom stair posts when installing a 42in H railing system.
- 45° deck angles require 22.5° clips applied to each side of the post. The 22.5° clip kit is sold **SEPARATELY**.
- Two 3in posts are recommended on top of deck surface if stair riser is not at a 90° angle from deck frame.

HELPFUL ORDERING INFORMATION:

1. Cable frame kits include attachment clips and screws. If panels are cut and two pieces are used for installation, a Deck Panel Attach Kit must be purchased.
2. Anchors and fasteners to secure posts to concrete or wood are **NOT INCLUDED** in kits.
3. Maximum post spacing on deck for horizontal cable railing is 8ft on center.

HORIZONTAL CABLE RAILING PLANNER

WHAT YOU WILL NEED	QTY	BLACK	WHITE	BRONZE
HORIZONTAL CABLE FRAME KITS		MENARDS SKUS OR MANUFACTURER'S PART NUMBERS		
Use for both level and stair applications. Actual lengths: 6ft kits = 69.43in; 8ft kits = 91.31in. 3in posts are required to reach 6ft and 8ft lengths. Cable Kits and Posts Sold Separately.				
36in / 42in H x 6ft W Horizontal Cable Deck Full Frame Kit		1717934	1717935	1717936
36in / 42in H x 8ft W Horizontal Cable Deck Full Frame Kit		1717937	1717938	1717939
36in / 42in H x 6ft W Horizontal Cable Stair Full Frame Kit		1717974	1717976	1717978
36in / 42in H x 8ft W Horizontal Cable Stair Full Frame Kit		1717975	1717977	1717979
36in / 42in H x 6ft W Horizontal Cable Deck Top Rail Kit		1717966	1717967	1717968
36in / 42in H x 8ft W Horizontal Cable Deck Top Rail Kit		1717969	1717970	1717971
36in / 42in H x 6ft W Horizontal Cable Stair Top Rail Kit		1717980	1717982	1717984
36in / 42in H x 8ft W Horizontal Cable Stair Top Rail Kit		1717981	1717983	1717985
HORIZONTAL CABLE POST KITS				
36in H x 3in W Cable End Post Kit		1717940	1717941	1717942
36in H x 3in W Cable Inline Post Kit		1717946	1717947	1717948
3in H x 3in W Cable 90° Corner Post Kit		1717952	1717953	1717954
42in H x 3in W Cable End Stair Post Kit		1717963	1717964	1717965
42in H x 3in W Cable Inline Stair Post Kit (Not shown in diagram)		1717949	1717950	1717951
42in H x 3in W Cable End Post Kit (42in H system, not shown)		PC441642B	PC441642W	PC441642Z
42in H x 3in W Cable inline Post Kit (42in H system, not shown)		PC441742B	PC441742W	PC441742Z
42in H x 3in W Cable 90° Corner Post Kit (42in H system, not shown)		PC441942B	PC441942W	PC441942Z
48in H x 3in W Cable End Stair Post Kit (42in H system, not shown)		PC441548B	PC441548W	PC441548Z
48in H x 3in W Cable Inline Stair Post Kit (42in H system, not shown)		PC441848B	PC441848W	PC441848Z
STAINLESS STEEL CABLE KITS				
5ft Cable Kit			1717924	
10ft Cable Kit			1717925	
15ft Cable Kit			1717926	
20ft Cable Kit			1717927	
25ft Cable Kit			1717928	
30ft Cable Kit			1717929	
35ft Cable Kit			1717930	
40ft Cable Kit			1717931	
45ft Cable Kit			1717932	
50ft Cable Kit			1717933	
55ft Cable Kit			1717972	
60ft Cable Kit			1717973	
ADDITIONAL KITS AND TOOLS				
Jig/Touch-up Paint		1717864 s	1717866	1717862 s
36in H x 49in W Horizontal Cable Gate Kit (Adjustable, for openings up to 50in wide)		CG481349B	CG481349B	CG481349B
42in H x 49in W Horizontal Cable Gate Kit (Not adjustable, for openings 50in wide)		CG481449B	CG481449B	CG481449B
Deck Panel Attach Kit			1717836	
22.5° Panel Attach Kit Use on 45° deck angles			1717839	
Stair Panel Attach Kit			1717845	
Stainless Steel Cable Cutter			1717965	
Horizontal Cable Tool Kit (Includes: Cable Threading Tool, 90° Cable Threading Tool, and Cable Release Tool)			1717986	
HARDWARE				
GRK® RSS™ 5/16in x 6in Grade C Yellow Zinc Washer Head Structural Screw			2300203 s	
Tapcon® 5/16in x 3in Hex Washer Head Concrete Anchors			2327302 s	

All Horizontal Cable Railing Products are Special Order

S=Stocked in Stores D=Menards Distribution Center M=Special Order

PRO SERIES ALUMINUM FENCING OVERVIEW

DRAW OUT YOUR FENCE PLANS

SCALE: 1 SQUARE = _____

HELPFUL ORDERING INFORMATION:

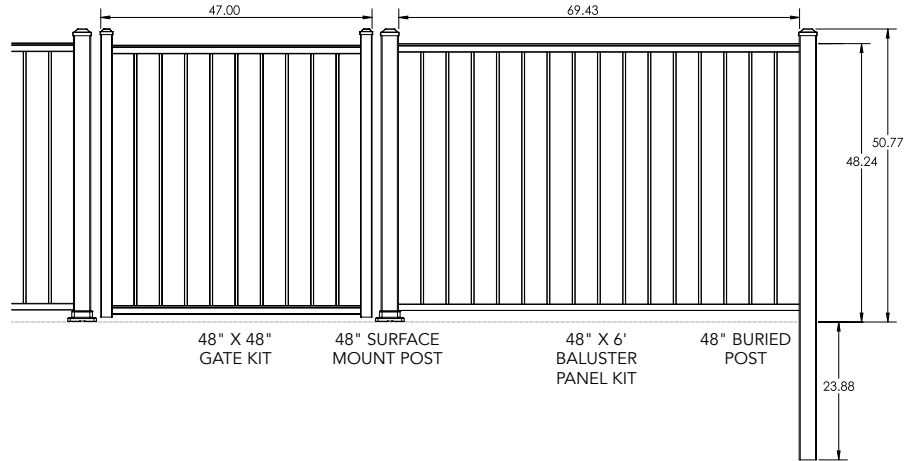
1. Fence panel kits include attachment clips and screws. If panels are cut and two pieces are used for installation, a Fence Panel Attach Kit must be purchased separately.
2. Anchors and fasteners to secure posts to surfaces are **NOT INCLUDED** in kits.
3. Maximum post spacing is 6ft on center.

IMPORTANT NOTES:

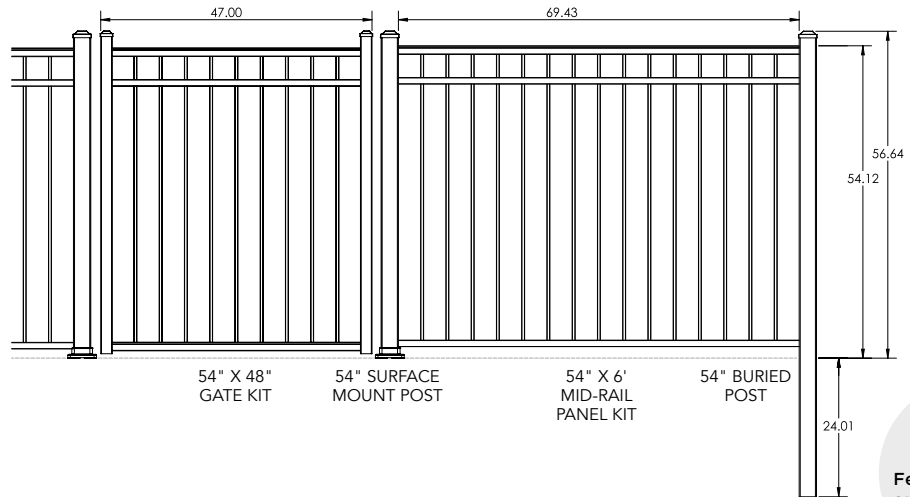
- Actual fence panel widths: 6ft Panels = 69.43in.
- 3in posts are required to reach 6ft lengths.
- Fence Panels are slightly adjustable and will accommodate sloped ground surfaces up to an 8° angle, but will reduce the distance allowed between posts. CAUTION: Over adjusting panels will cause loose and rattling pickets.
- 45° fence angles require 22.5° clips applied to each side of the post. The 22.5° clip kit is sold **SEPARATELY**.
- Prior to construction, check with your local regulatory agency for special code requirements in your area and obtain all required building permits. Always ensure there is proper blocking or footings under each post as per installation instructions. Read installation instructions and view installation videos to get a complete understanding of how Williams Pro Series Fencing is assembled.

PRO SERIES ALUMINUM FENCING PLANNER

PRO SERIES 48IN H FENCE SYSTEM



PRO SERIES 54IN H MID-RAIL FENCE SYSTEM



All Pro Series Aluminum Fencing Products are Special Order

BLACK

QTY	ITEMS NEEDED	SKU
<input type="checkbox"/>	48in H x 6ft W Fence Panel	1716806
<input type="checkbox"/>	48in H Surface Mount Post Kit	1716809
<input type="checkbox"/>	48in H Buried Post Kit	1716812
<input type="checkbox"/>	48in H Fence Gate Kit	1716810
<input type="checkbox"/>	54in x 6ft Mid-Rail Fence Panel	1716807
<input type="checkbox"/>	54in H Surface Mount Post Kit	1716815
<input type="checkbox"/>	54in H Buried Post Kit	1716811
<input type="checkbox"/>	54in H Mid-Rail Fence Gate Kit	1716808
<input type="checkbox"/>	Fence Panel Attach Kit	1716847
<input type="checkbox"/>	22.5° Fence Panel Attach Kit	1716845

Used to make one 45° angle

WHITE

QTY	ITEMS NEEDED	SKU
<input type="checkbox"/>	48in H x 6ft W Fence Panel	1716817
<input type="checkbox"/>	48in H Surface Mount Post Kit	1716832
<input type="checkbox"/>	48in H Buried Post Kit	1716831
<input type="checkbox"/>	48in H Fence Gate Kit	1716819
<input type="checkbox"/>	54in x 6ft Mid-Rail Fence Panel	1716816
<input type="checkbox"/>	54in H Surface Mount Post Kit	1716835
<input type="checkbox"/>	54in H Buried Post Kit	1716820
<input type="checkbox"/>	54in H Mid-Rail Fence Gate Kit	1716834
<input type="checkbox"/>	Fence Panel Attach Kit	1716849
<input type="checkbox"/>	22.5° Fence Panel Attach Kit	1716850

Used to make one 45° angle

BRONZE

QTY	ITEMS NEEDED	SKU
<input type="checkbox"/>	48in H x 6ft W Fence Panel	1716837
<input type="checkbox"/>	48in H Surface Mount Post Kit	1716842
<input type="checkbox"/>	48in H Buried Post Kit	1716844
<input type="checkbox"/>	48in H Fence Gate Kit	1716839
<input type="checkbox"/>	54in x 6ft Mid-Rail Fence Panel	1716836
<input type="checkbox"/>	54in H Surface Mount Post Kit	1716845
<input type="checkbox"/>	54in H Buried Post Kit	1716840
<input type="checkbox"/>	54in H Mid-Rail Fence Gate Kit	1716843
<input type="checkbox"/>	Fence Panel Attach Kit	1716848
<input type="checkbox"/>	22.5° Fence Panel Attach Kit	1716846

Used to make one 45° angle

DON'T FORGET POST-TO-SURFACE HARDWARE AND/OR CONCRETE FOOTINGS

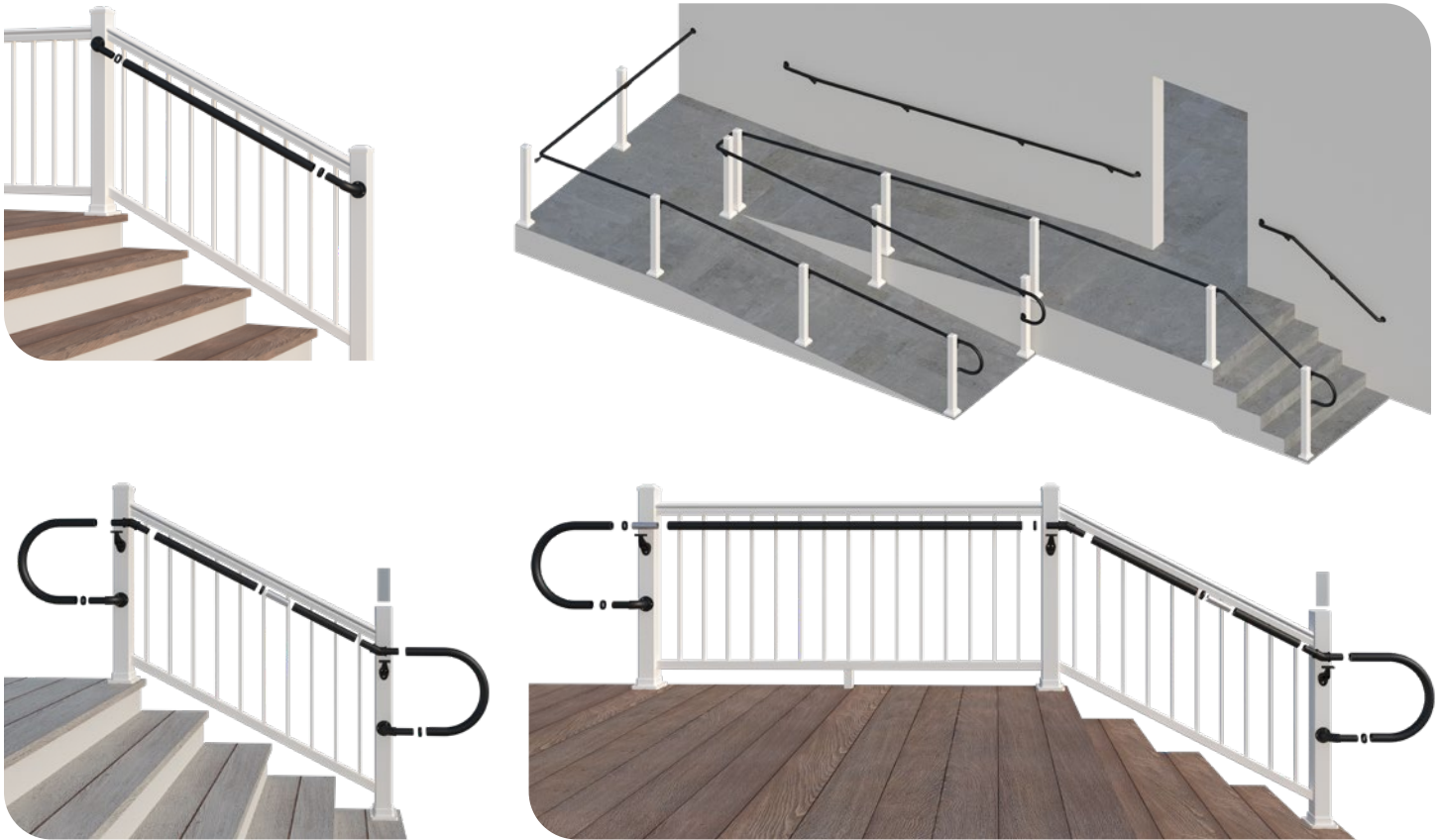
___ Posts X ___ per Post = Total Screws / Bags

ENHANCE YOUR OUTDOOR SPACE WITH SOLAR LIGHTS!



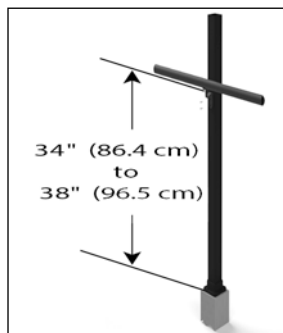
Solar 3in LED Post Cap Perimeter Light
 3 Lumens, 3,000 Kelvin
 P/N: LS045310 M
 B=Black, W=White, Z=Bronze

ADA HANDRAILS OVERVIEW



ADA HANDRAIL PLANNING GUIDELINES

1. ADA Handrails can be installed using various design applications such as those for stairs, ramps, and horizontal applications. Designs include options for straight and 90° wall returns, 90° corners, and adjustable angles. Choose which is best for your needs before installing.
2. The Handrail system top rail should be 34in (86.4 cm) to 38in (96.5 cm) above the surface. However, verifying height requirements with local building code officials before installing is important as codes vary in different areas.
3. Maintain a minimum clearance of 1-1/2in (3.8 cm) between the Handrail and any obstructions above or behind the Handrail.
4. The end loop return at all landings must extend 12in (30.5 cm) past the end of the ramp or stair nose.
5. The slope of the Handrail for the ramp should not exceed 1in (2.5 cm) rise over a 12in (30.5 cm) run.
6. The maximum recommended span between supports is 6ft (1.83 m) on center. Thus, placement of posts is critical when installation of railing is being considered.



7. At any straight location where internal connector is used, it is CRITICAL to locate these as close to a wall mount as possible.
 8. If using metal posts, pre-drill all locations for bracket attachment. (Always use a drill bit slightly SMALLER in diameter than the screw being used for attachment.)
 9. All elbow components can be cut down to allow for tighter angles. Cut a maximum of 2in on each side if this is required.
 10. Handrail pipes can be cut to proper length based on location of wall return(s) or attachment to other components.
 11. Cut ADA Loop ends as necessary to ensure that Support Bracket will align properly with 3in post after installation.
 12. Corner Mount can ONLY BE USED ON METAL POSTS and only for horizontal applications, such as stair landings.
 13. Prior to construction, check with your local regulatory agency for special code requirements in your area.
- *Refer to the American Disabilities Act for detailed information in regards to ADA Handrail requirements.

ADA HANDRAILS PLANNER

WHAT YOU WILL NEED	QTY	BLACK	WHITE	BRONZE
ADA HANDRAIL KITS		MENARDS SKUS / PART NUMBERS		
ADA Pipe Rail and 90° Return Kit		1717885 D	1717888 D	1717882 D
ADA 90° Return Kit		AD901101B M	AD901101W M	AD901101Z M
ADA Pipe Rail Extension Kit		1717884 D	1717887 D	1717881 D
ADA Handicap Loop Kit		1717886 D	1717889 D	1717883 D
ADA HANDRAIL PARTS		PART NUMBERS		
ADA 1.5in x 94in Pipe Rail		AD903194B	AD903194W	AD903194Z
90° Wall Return		AD905118B	AD905118W	AD905118Z
ADA Support Bracket		AD908102B	AD908102W	AD908102Z
Inside Corner Mount		AD908599B	AD908599W	AD908599Z
ADA 6in Pipe Joiner		AD905178		
ADA Handicap Loop		AD905168B	AD905168W	AD905168Z
Straight End Wall Mount		AD905128B	AD905128W	AD905128Z
ADA 90° Elbow		AD905158B	AD905158W	AD905158Z
ADA Adjustable Elbow Order 4X #8x3/4in screws for each elbow (sold separately).		AD958204B	AD958204W	AD958204Z
ADA 1.5in Joiner Ring		AD905188B	AD905188W	AD905188Z
ADA End Cap (available in black only)		AD905198	-	-
3in Post Backer Plate		AD905248		
Rail to Bracket Attach Screws #8 x 3/4in Self-tapping Screws. 20-pack.		ST091820		
Bracket to Metal Post Attachment #10 x 1-1/2in Self-tapping Screws. 20-pack		ST091020		
Support Bracket Attach Screws #14 x 1-1/2in Self-tapping Screws. 20-pack		ST099520		

S=Stocked in Stores D=Menards Distribution Center M=Special Order

Select ADA Handrail Kits are stocked at Menards Distribution Centers. All Parts are Special Order.

FREQUENTLY ASKED QUESTIONS

What kind of railing systems does Williams Aluminum Railing™ offer?

Williams railing systems consist of preassembled aluminum balustrade panels made at 69.43in and 91.31in in length. Panels span 6ft and 8ft on center when installed with 3in posts. Williams also offers horizontal cable railing, vertical cable railing and aluminum fencing in 69.43in lengths to span 6ft on center.

What colors are available?

Williams Aluminum Railing™ offers a durable AAMA 2604 textured powder-coated finish available in Black, White, Bronze, Piano (white w/black infill) and Tuxedo (black w/white infill).

Is the hardware to install the railing inside the deck and stair panels?

Yes, there is one (1) set of attachment clips to attach each end to a Williams post. If the deck or stair panels are cut into two (2) pieces, then an additional attachment kit would be necessary.

What if my deck has a 45° corner?

A 22.5° kit must be purchased separately. The 3in post must be turned so that the top/bottom rails attach to the post at a 22.5° angle.

Can I cut the top rail at 45° angle?

Only if coming directly off the building at 45°; then a separate 45° angle kit must be purchased. The standard 3in posts will not accommodate a 45° cut top/bottom rail.

What type of saw do I use to cut the metal?

The best saw is a 10in miter saw with a 10in 84-tooth (or more) nonferrous saw blade. If a nonferrous blade is not available, high-tooth-count carbide saw blade will suffice. Most important is to use a sharp saw blade!

Why don't you supply the fasteners to secure the posts to the deck surface?

We have no way of knowing to what type of deck surface the railing will be mounted. Therefore, we sell the fasteners separately.

What are the recommended fasteners to secure the posts to the deck surface?

We recommend GRK® RSS™ 5/16in x 6in Grade C Yellow Zinc Washer Head Structural Screws for all posts. For concrete applications, we recommend Tapcon® 5/16in x 3in Hex Washer Head Concrete Anchors. Residential applications only.

Are gate kits available?

We offer gate kits in two widths to match our aluminum railings. Out of the box, standard gates fit a 40in opening and wide gates fit a 50in opening. Other opening widths require cutting and assembly. Our gates are packaged in knockdown kits with self-closing hinges and lockable latches.

Where can I buy Williams railings?

Williams railings are available at Menards retail stores and on Menards.com.

SYSTEM EVALUATION

Williams Aluminum Railing™ (Williams) aluminum picket systems have been evaluated for structural integrity by an independent laboratory as per ICC-ES AC273 — acceptance criteria for handrails and guards, approved/ revised June 2017. Williams' Colonial 36in aluminum railings were evaluated with a total railing span of 96in with a Williams 3in post attached at each end. The Williams aluminum railing systems have been evaluated with 1/2in x 3/4in aluminum balusters (6063-T5) assembled using the patented Ultralox Interlocking™ assembly process (protected under US Patent #8286948) by which guardrail infill components are press-locked together. When the guardrail is installed in configurations other than described in the installation instructions, the installation configuration and fastening detail must be specified by a licensed engineer.

When Williams aluminum railing systems are assembled under the conditions described above, the railings meet the guardrail requirements of 1607.7.1.1 of the 2012 International Building Code (IBC).

When the Williams guardrail is installed in configurations other than described above, each installation shall be designed using numerical calculation methods by a registered professional engineer licensed in the state in which the project is constructed. Sealed shop drawings shall be made available to interceded parties to demonstrate compliance with application for which the project is constructed.

If Williams railings are installed contrary to the specific assembly described above and sealed engineering drawings are not available, then the railing is intended for decorative purposes only and cannot be used in applications where structural railing systems are required by local or international building code.

The diagrams and instructions provided with each system are for illustration purposes only and are not meant to replace a licensed professional. Any construction or use of the product must be in accordance with all local zoning and/or building codes. The consumer assumes all risks and liability associated with the construction or use of this product. The consumer or contractor should take all necessary steps to ensure the safety of everyone involved in the project, including but not limited to wearing the appropriate safety equipment. Except as contained in the written limited warranty, Williams does not provide any other warranty, either expressed or implied, and shall not be liable for any damages, including consequential damages.

©2024, Williams Aluminum Railing™
is a WES LLC Company
WilliamsRailing.com

20-YEAR LIMITED WARRANTY

Williams Aluminum Railing™ warrants its railing products to be free from manufacturing defects in material and workmanship to the original consumer purchaser. In addition to manufacturing defects, this warranty covers cracking, peeling and blistering of the finish of our products.

This warranty does not cover damage caused by abnormal or improper use, improper product installation, accidents, alterations, welding, neglect, damage by lawn care equipment, abrasion, harsh chemicals, pool chemicals, snow and ice removal chemicals, air pollutants, improper service or lack of and damage caused by fire, flood or acts of God. This warranty does not cover corrosion from cuts, scratches, dents or nicks. Products located 1 mile or less from any coast line shall have a 3-year Limited Warranty from the date of purchase. Products in direct contact with salt water do not qualify for any Williams warranty.

Claim Procedure

To make a claim under this Warranty to receive replacement product, the original consumer must, within 90 days of actual or constructive notice of any covered defect in the product do the following:

- (1) Prepare a letter that includes the following:
 - a. A list of the number of pieces and the size of each piece for which the claim is made.
 - b. Proof of Purchase of the products, as shown on the original invoice.
 - c. Proof of Warranty – Original purchaser or homeowner must have registered their product online at WilliamsRailing.com within 60 days of purchase date.
- (2) Mail the above to:

Williams Aluminum Railing
2737 West Service Road
Eagan, MN 55121
- (3) Email to: warranty@williamsrail-fence.com

Conditions and Exclusions of this Warranty:

CLEANING AND CARE INSTRUCTION AS PER EXHIBIT A MUST BE FOLLOWED.

THIS WARRANTY IS NOT TRANSFERABLE. THE AMOUNT OF YOUR RESTITUTION, IF ELIGIBLE, WILL NOT INCLUDE LABOR TO REMOVE THE EXISTING PRODUCT OR INSTALL ANY REPLACEMENT COMPONENTS, SHIPPING CHARGES, SALES TAX OR ANY OTHER CHARGES NOR WILL WILLIAMS RAILING PROVIDE SUCH LABOR. OR SERVICE.

THIS LIMITED WARRANTY IS IN LIEU OF ALL OTHER EXPRESS WARRANTIES. WILLIAMS ALUMINUM RAILING™ MAKES NO OTHER EXPRESS WARRANTIES AND DOES NOT AUTHORIZE ANY OTHER PERSON OR AGENT TO MAKE ANY OTHER EXPRESS WARRANTIES. WILLIAMS RAILING NEITHER ASSUMES NOR AUTHORIZES ANY OTHER LIABILITY OR OBLIGATION IN WARRANTY, INCLUDING WITHOUT LIMITATION, THE IMPLIED WARRANTIES OF MERCHANTABILITY AND FITNESS FOR A PARTICULAR PURPOSE WITH RESPECT TO THEIR PRODUCTS. IN NO EVENT SHALL WILLIAMS RAILING BE LIABLE FOR ANY CONSEQUENTIAL, SPECIAL, OR INCIDENTAL DAMAGES ARISING OUT OF OR CONNECTED WITH THE PURCHASE OR USE OF THEIR PRODUCTS OR FOR ANY BREACH OF WARRANTY.

SOME STATES DO NOT ALLOW LIMITATIONS ON HOW LONG AN IMPLIED WARRANTY LASTS OR THE EXCLUSION OR LIMITATION OF INCIDENTAL OR CONSEQUENTIAL DAMAGES, SO THE ABOVE LIMITATIONS OR EXCLUSION MAY NOT APPLY TO YOU. THIS WARRANTY GIVES YOU SPECIFIC LEGAL RIGHTS AND YOU MAY HAVE OTHER RIGHTS THAT VARY FROM STATE TO STATE. THIS WARRANTY IS APPLICABLE ONLY TO SYSTEMS INSTALLED WITHIN THE CONTINENTAL UNITED STATES AND CANADA.

CLEANING AND MAINTENANCE

Background

Williams architectural powder coatings are organic coatings which must be regularly cleaned and maintained in order to ensure the decorative and protective properties of the coating are retained. Records of all cleaning schedules and frequencies shall be kept and maintained by customer according to the process outlined below and shall be available to Williams Aluminum Railing™ upon request.

Cleaning Method

Usual maintenance of Products must adhere to the following steps:

- Clean using an appropriate cleaning product, as defined below.
- Rinse with clear water.
- Wipe with a soft cloth.
- All surfaces shall be cleaned using a soft cloth or sponge, and no cloth shall be harsher than natural bristle brushes.

If the Product is subject to any hazardous and unusual environmental factors or is located within one (1) mile of the seashore, an estuary or marine environments, Williams Aluminum Railing™ must be consulted on an individual project basis for best maintenance practices.

Cleaning Products

Before cleaning, Customer must consult and adhere to the underlying instructions contained within the Product Data Sheet available online at WilliamsRailing.com.

Usual maintenance cleaning may be done using water with a mild detergent (pH 5 to 8).

If atmospheric pollution has resulted in heavy soiling of the Coating, some stains or marks may require stronger domestic products, such as alcohol, petroleum spirits, white spirits or bleach diluted to five percent (5%). In this instance, Customer must rinse the Coating immediately after using the cleaning product.

In no circumstance shall any abrasive cleaner, polish or cleaners containing ketones or ether be used.

Frequency

Customer shall clean the Product according to the following frequencies:

- Six (6) times per year for all Products located within one (1) mile of the seashore.
- The cleaning cycle shall commence within two (2) months of installation.
- Cleaning shall be conducted in intervals not to exceed two (2) months.
- Customer shall maintain fully documented records throughout the Warranty term.
- Four (4) times per year for all Products located more than one (1) mile from the seashore.
- The cleaning cycle shall commence within three (3) months of installation.
- Cleaning shall be conducted in intervals not to exceed three (3) months.
- Customer shall maintain fully documented records throughout the Warranty term.

Additional Factors

Damage from installation, mechanical processes, jig marks and other related defects must be repaired immediately in order for the Warranty to remain in effect.

Protective tapes used in installation must be a "low-tack" quality and must not be left in contact with the surface for more than one (1) month.

Williams Aluminum Railing™ must approve all sealants and mastics prior to installation in order for Warranty to remain in effect.



Sold Exclusively At:

MENARDS[®]
*Dedicated to Service & Quality*SM

**ENGINEERED, TESTED
AND APPROVED**



ULTRALOX, ALUMINUM RAILING
SYSTEM SERIES C800 IS IN
COMPLIANCE WITH ICC-ES
ESR-3485, GIVEN A MAXIMUM
ALLOWABLE SPAN OF 91.31
INCHES. FOR USE IN ONE AND
TWO FAMILY DWELLINGS ONLY.



WilliamsRailing.com
(855) 742-7245



**ASSEMBLED
IN THE USA**

©2024 WES, LLC. All Rights Reserved.
Version 4.2 Reorder P/N: MW49300